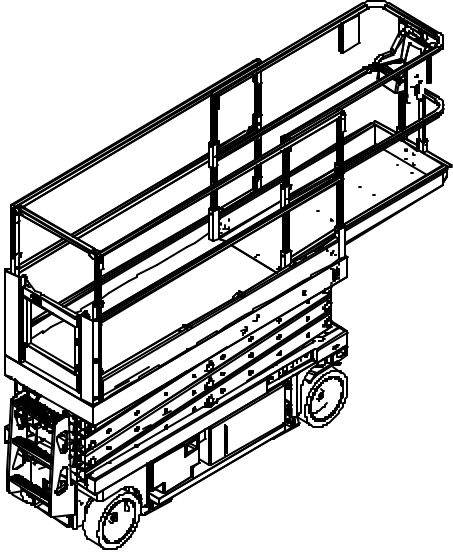


# Genie GS-2632 Specifications

## Self-Propelled Scissor Lift



### SPECIFICATIONS

	US	Metric
Working height*	32 ft	9.92 m
Platform height	26 ft	7.92 m
Unit height stowed	90 in	2.29 m
Unit height stowed, rails folded	68 in	1.73 m
Platform height - stowed	46 in	1.17 m
Unit length - stowed	96 in	2.44 m
Unit length - extended	135 in	3.43 m
Unit width	32 in	81.3 cm
Platform width	31 in	79 cm
Platform length	89 in	226 cm
Platform length - deck extended	128 in	325 cm
Wheelbase	73 in	1.85 m
Ground clearance	4 in	10.2 cm
Ground clearance - pothole guards deployed	7/8 in	2.2 cm
Toeboard height	6 in	15 cm
Lift capacity	500 lb	227 kg
Extension deck lift capacity	250 lb	113 kg
Turning radius - outside	92 in	2.34 m
Turning radius - inside	zero	
Power source	24V (4-6V, 245AH batteries)	
Drive speed - stowed	2.2 mph	3.5 km/h
Drive speed - raised	0.5 mph	0.8 km/h
Raise/lower speed	37/24 sec	
Controls	24V DC proportional	
Tires (solid rubber, non-marking tires)	15 x 5 in	38.1 x 12.7 cm
Gradeability	25%	25%
Drive	dual front wheel	
Multiple disc brakes	dual rear wheel	
Weight** - ANSI/CSA	5,150 lb	2,336 kg
Weight** - CE/AS	5,520 lb	2,504 kg

### STANDARD FEATURES

- 90 degree steering for excellent maneuverability
- Single door access 32 in (81.3 cm)
- Solid steel deck platform with slip-resistant surface
- Low noise level
- Proportional controls
- Multiple disc brakes provide smooth deceleration
- Pothole guards reduce tip-over hazards
- Lubrication-free, service-free pivot points
- Weather resistant, impact resistant, injection-molded Joystick Carrier/Controller box operates from the platform or the ground

\*The metric equivalent of working height adds 2 m to platform height. U.S. adds 6 ft to platform height.

\*\*Certain options and/or country standards will increase weight.

## Genie Industries

USA 18340 NE 76th Street  
P.O. Box 97030  
Redmond, Washington 98073-9730  
Telephone (425) 881-1800  
Toll Free USA/Canada 800-536-1800  
Fax (425) 883-3475  
<http://www.genielift.com>

UK The Maltings, Wharf Road  
Grantham  
Lincolnshire NG31 6BH  
Telephone (44) 01476-584333  
Fax (44) 01476-584334  
<http://www.genielift.com>

Continuous improvement of our products is a Genie policy. Product specifications are subject to change without notice or obligation. The drawings in this brochure are for illustrative purposes only. Refer to the appropriate Genie GS-2632 Operator's Manual for instructions on the proper use of this equipment. Failure to follow the appropriate Operator's Manual when using a Genie GS-2632, or to otherwise act irresponsibly, may result in serious injury or death. Copyright © 1997 by Genie Industries. "Genie" is a Registered Trademark of Genie Industries in the USA and many other countries. "GS" is a Trademark of Genie Industries. Genie is the owner