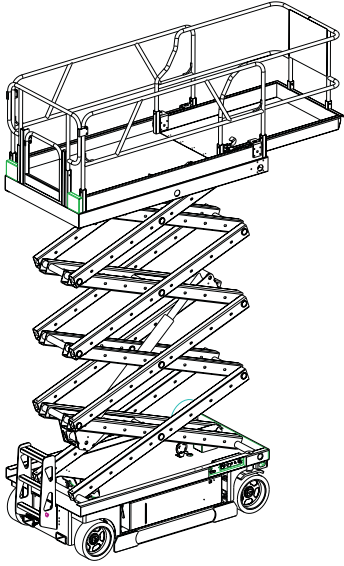


Genie GS-2046/GS-2646 Specifications

Self-propelled Scissor Lift



STANDARD FEATURES

- Solid steel deck platform with slip-resistant surface
- Low noise level
- Proportional controls
- High angle steering for excellent maneuverability
- Multiple disk brakes provide smooth deceleration
- Pothole guards reduce tip-over hazards
- Maintenance-free pivot-point bearings
- Removable joy stick control box allows activation of all lift and drive functions from the ground

SPECIFICATIONS

MODEL	GS-2046		GS-2646	
	USA	Metric	USA	Metric
Working height	27 ft	8.23 m	32 ft	9.75 m
Platform floor height	21 ft	6.4 m	26 ft	7.92 m
Platform floor height - stowed	39 ¹ / ₄ in	99.67 cm	46 ¹ / ₈ in	117.16 cm
Lift capacity	1200 lbs	544 kg	1000 lbs	454 kg
Extension deck lift capacity	250 lbs	113 kg	250 lbs	113 kg
Height - stowed (guardrails)				
ANSI, CSA	78 ¹ / ₂ in	199.39 cm	85 ¹ / ₂ in	217.19 cm
CE	83 in	210.82 cm	89 ³ / ₄ in	227.97 cm
Height-stowed (guardrails lowered)	71 ³ / ₄ in	182.25 cm	78 ¹ / ₂ in	199.39 cm
Length	96 in	243.84 cm	96 in	243.84 cm
Width	46 in	116.84 cm	46 in	116.84 cm
Wheelbase	73 in	185.42 cm	73 in	185.42 cm
Ground Clearance				
- at machine center	4 in	10.16 cm	4 in	10.16 cm
- pothole guards deployed	7 ⁷ / ₈ in	2.22 cm	7 ⁷ / ₈ in	2.22 cm
Platform length	89 in	226.06 cm	89 in	226.06 cm
Platform width	45 ⁵ / ₈ in	115.89 cm	45 ¹ / ₃ in	115.25 cm
Platform length - extended	128 ¹ / ₄ in	325.76 cm	128 ¹ / ₄ in	325.76 cm
Guardrail height				
ANSI, CSA	39 in	99.06 cm	39 in	99.06 cm
CE	43 ³ / ₈ in	110.17 cm	43 ³ / ₈ in	110.17 cm
Toeboard height	6 in	15.24 cm	6 in	15.24 cm
Turning radius - outside	91 ³ / ₄ in	233.05 cm	91 ³ / ₄ in	233.05 cm
Turning radius - inside	zero		zero	
Power source	24V (4 6V 245 AH batteries) (both models)			
Drive speed - stowed	0 - 2.2 mph	0 - 3.5 km/h	0 - 2.2 mph	0 - 3.5 km/h
Drive speed - raised	0 - 0.5 mph	0 - 0.8 km/h	0 - 0.5 mph	0 - 0.8 km/h
Elevate/lower speed	30 / 28 sec		30 / 24 sec	
Proportional controls	standard		standard	
Tires (solid rubber)	15 x 5 x 8 in / 38.1 x 12.7 x 20.3 cm (both models)			
Gradeability	30%		30%	
Drive	two front wheel		two front wheel	
Multiple disk brakes	two rear wheel		two rear wheel	
Pothole protection	standard		standard	
Weight	4270 lbs	1937 kg	4530 lbs	2055 kg

Genie Industries

USA 18340 NE 76th Street
P.O. Box 97030
Redmond, Washington 98073-9730
Telephone (206) 881-1800
Toll Free USA/Canada 800-536-1800
Fax (206) 883-3475
<http://www.genielift.com>

UK Brunel Drive
Newark
Nottinghamshire
NG24 2EG England
Telephone (44) 01636-605030
Fax (44) 01636-611090
<http://www.genielift.com>

Continuous improvement of our products is a Genie policy. Product specifications are subject to change without notice or obligation. The drawings in this brochure are for illustrative purposes only. Refer to the appropriate Genie GS-2046 and Genie GS-2646 Operator's Manual for instructions on the proper use of this equipment. Failure to follow the appropriate Operator's Manual when using a Genie GS-2046 or GS-2646, or to otherwise act irresponsibly, may result in serious injury or death. Copyright © 1997 by Genie Industries. Genie is a Registered Trademark of Genie Industries in the USA and many other countries. "GS" is a Trademark of Genie Industries. Patents pending. 5-5-98